

A detailed close-up photograph of a brass pump component, likely a valve or impeller housing. The metal has a polished, golden-brown finish and shows various mechanical features like a central opening, a bolt, and several circular ports. The lighting is dramatic, highlighting the textures and curves of the metal.

eco pro™



P R O F E S S I O N A L
C O M M E R C I A L P O O L P U M P S



eco pro™

Premium Commercial Pool Pumps

FLANGED CAST IRON CASING

Our class 30 grade iron casing is tapped for a drain, vent and pressure gauge, includes a suction wear ring and can be rotated to various discharge positions. Standard ANSI flange-type suction and discharge nozzles facilitate installation and maintenance.

RENEWABLE BRONZE SHAFT SLEEVE

The renewable bronze shaft sleeve insulates the shaft from abrasion and contact with pumped liquids.

ENGINEERED FOR FLEXIBILITY & DURABILITY

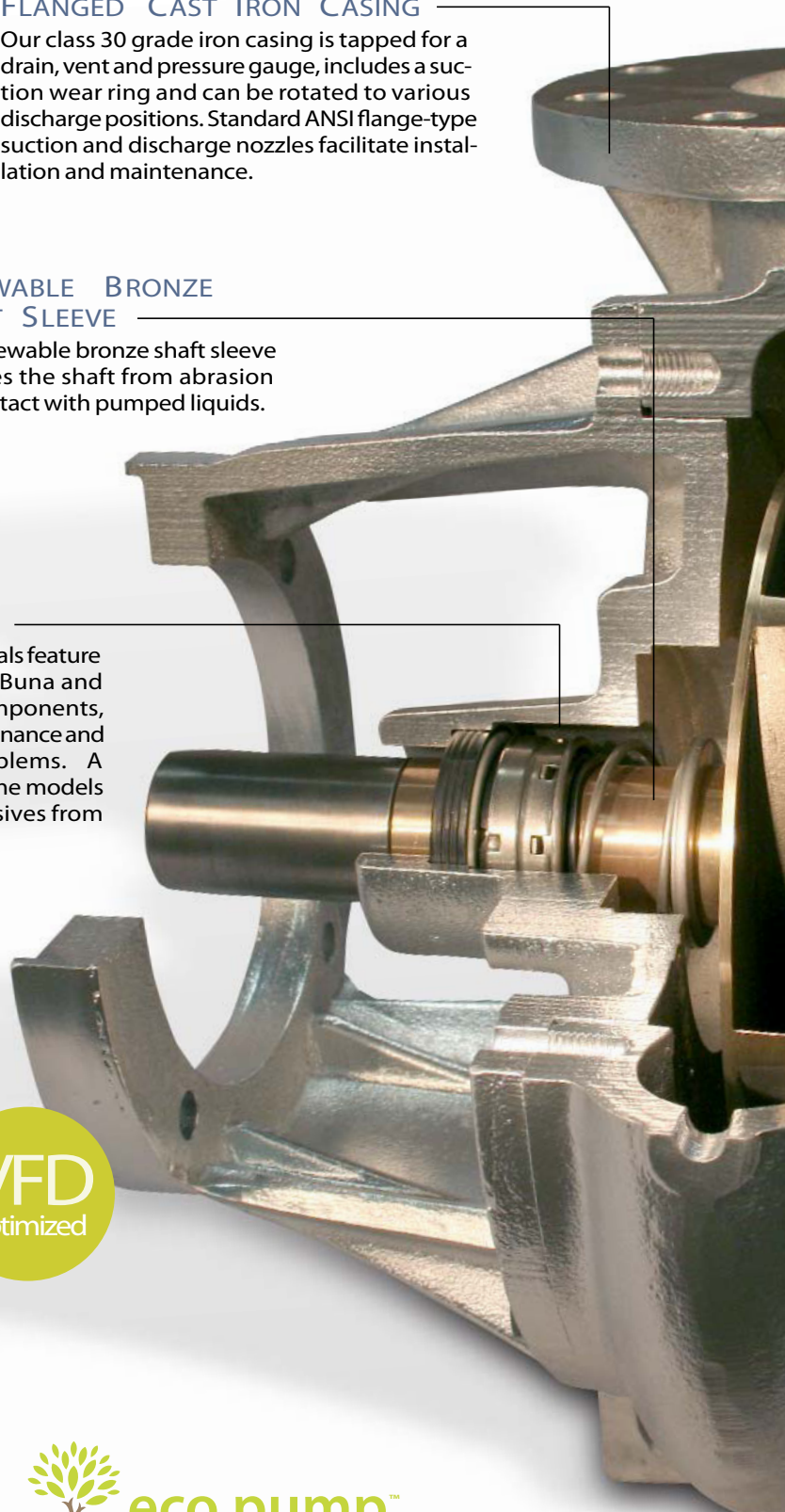
EcoPro centrifugal commercial pool pumps are designed for the most demanding commercial swimming pool applications. EcoPro offers capacities up to 3,000 GPM, heads up to 310 feet and the most complete list of features you won't find on mid-level imported pumps.

EcoPro's backpull-out design permits easy removal of the pump assembly for easy maintenance without disturbing pipe connections. All EcoPro models are equipped with flanges meeting ANSI B 16.1 for 125 PSI applications.

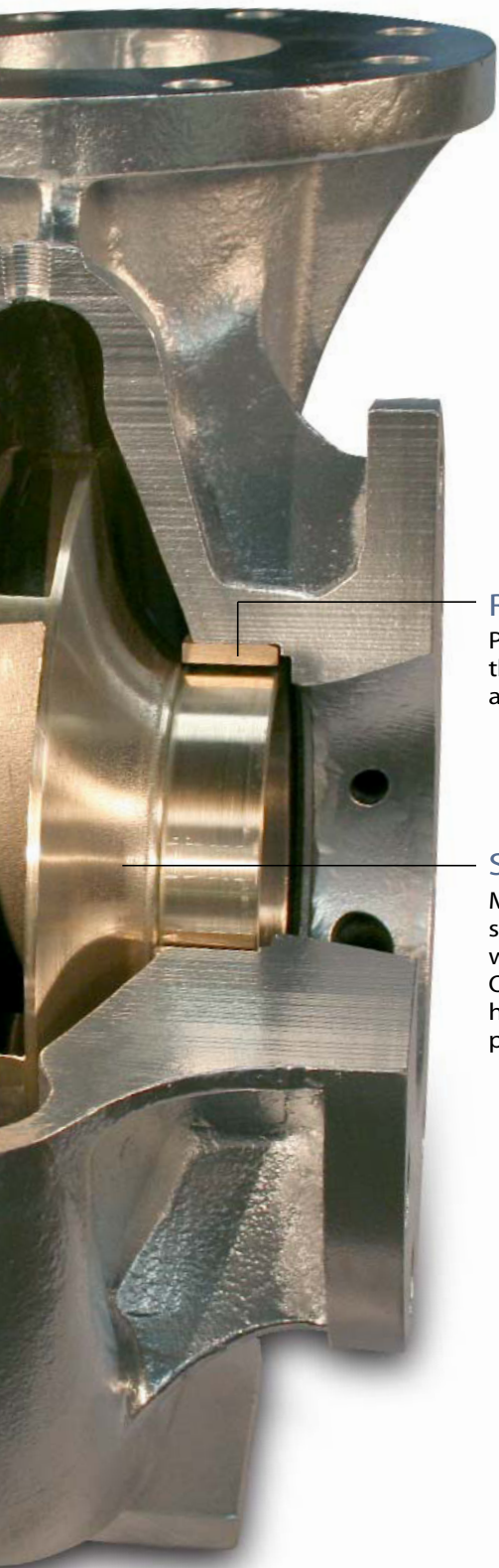
All EcoPro commercial pool pumps are engineered for excellent VFD performance, long life and easy maintenance.

MECHANICAL SHAFT SEALS

Our mechanical seals feature Carbon/Ceramic/Buna and stainless steel components, eliminating maintenance and adjustment problems. A bypass line on some models helps purge abrasives from the seal chamber.



Bronze Impeller
Bronze Wear Rings
3 Year Warranty
STANDARD

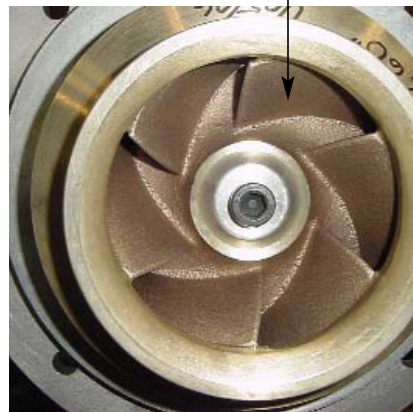


RENEWABLE BRONZE WEARING RINGS

Precision-made bronze wearing rings are pressed into the casing and/or adapter as required and are renewable as well as easily replaced in the field.

SINGLE-PIECE ENCLOSED IMPELLER

Made of cast bronze and keyed to the shaft, our single-piece enclosed impeller is precision balanced with the diameter cut for the specific condition point. On high-head units, the impeller back is drilled for hydraulic balance, limiting thrust load and reducing pressure in the sealing area.



Commercial
Swimming Pools

Water Parks

Fountains

Commercial &
Agricultural Irrigation

Zoos

Aquariums

HVAC Cooling Towers

Marine

OPTIONS

STANDARD OIL LUBRICATED POWER FRAME

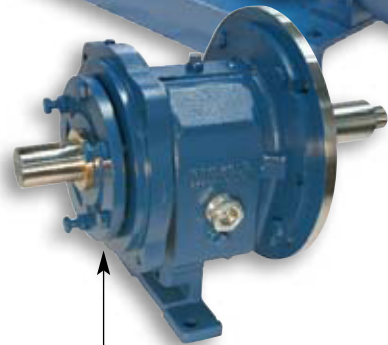
Standard Power Frame Feature Comparison:	eco pro	Competition
Oil Bath Lubrication	YES	No
Oversized Shaft & Bearings	YES	No
Magnetic Drain Plug	YES	No
INPRO [®] Lab Seals	YES	No
Epoxy Coated Interior	YES	No
Clean Room Assembly	YES	No

Choose from

TWO STANDARD CONFIGURATIONS :

A CLOSE COUPLED CONFIGURATION

These professional-grade motors feature a short shaft overhang that reduces the effects of axial strain on motor bearings. In addition to open drip-proof motors, you can choose other options like totally enclosed fan-cooled motors as well as explosion-proof motors.



B FRAME MOUNTED CONFIGURATION

EcoPump also offers flexible-coupling to electric motors, including open drip-proof, totally enclosed and explosion-proof motors. In addition, we provide engine, steam turbine and belt-driven options. Our extra heavy-duty cast iron frame includes the most advanced features available in oil-lubricated bearing frames for meeting extremely demanding industrial applications. Our standard features include INPRO[®] labyrinth oil seals, a 1-inch oil sight glass, oversized shaft and bearings, vibration monitoring locations and external cooling capability. Grease lubrication is optional.

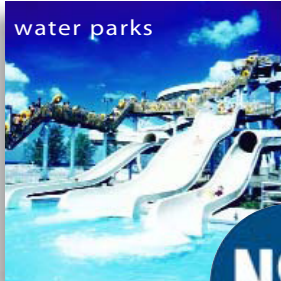
eco
Premium Commercial

proTM
Pool Pumps

UPGRADES

PROFESSIONAL GRADE

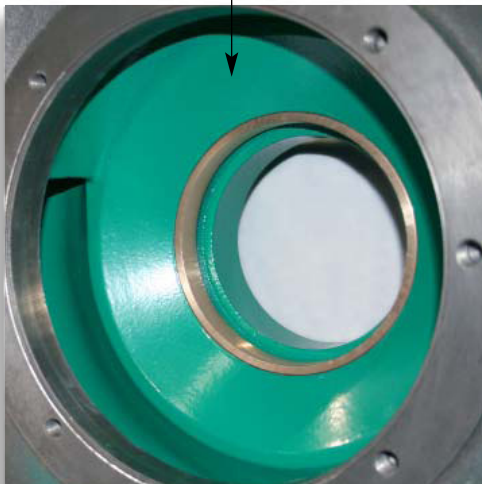
1 NSF[®] CERTIFICATION



Commercial pool pumps can be certified by NSF[®] to ANSI/NSF standard 50 for Swimming Pools—Circulation System Components.

2 COATING OPTIONS

3M[™] Scotchkote[™] 134 Fusion Bonded Epoxy is designed for corrosion protection of metal components. Because its bonding process provides superior adhesion and coverage, this specialized epoxy coating is particularly suited for the inside of pumps where a smooth, corrosion-resistant surface is required. Our pumps can be coated on the interior, exterior, or both.



3 SEAL OPTIONS

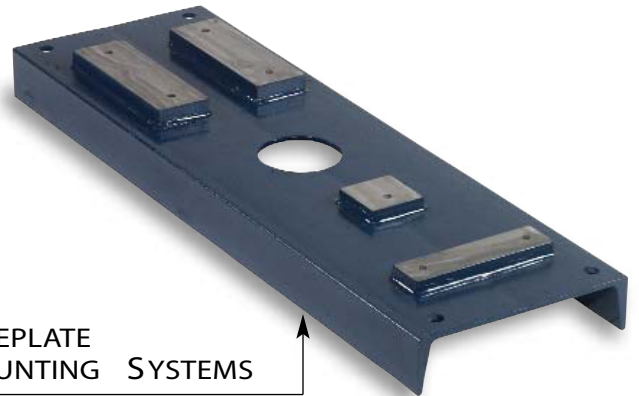
While our standard mechanical seal is comprised of Carbon/Ceramic/Buna, we also offer the following alternatives for more abrasive/corrosive and higher temperature applications:

- Carbon Ni-Resist Viton
- Carbon Silicon Carbide Viton
- Silicon Carbide Silicon Carbide Viton
- Silicon Carbide Tungsten Viton



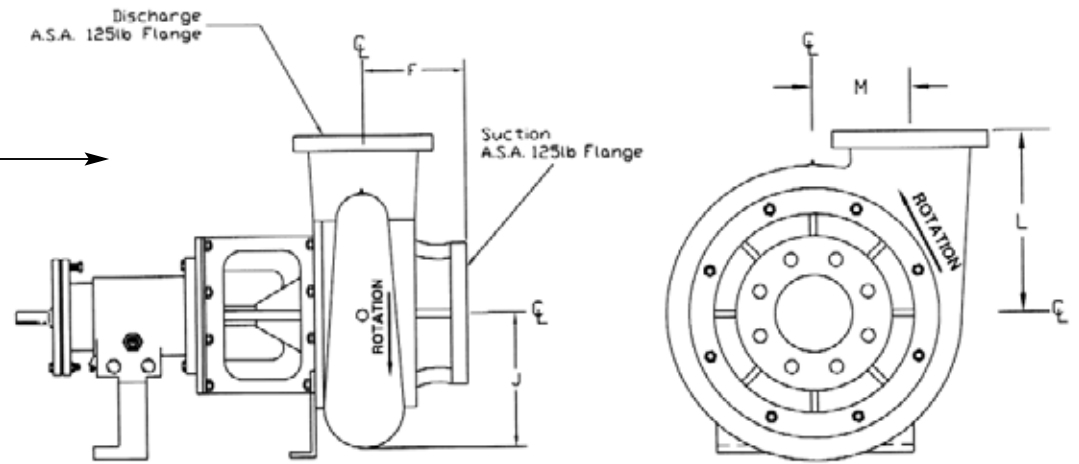
4 BASEPLATE MOUNTING SYSTEMS

EcoPump offers a complete range of pre-engineered channeled steel baseplates designed to reduce stress and vibration as well as extend MTBPM (Mean Time Between Preventative Maintenance), thus ensuring long-term durability. Bases include a fully enclosed steel coupling guard as standard, with optional non-sparking coupling guard.

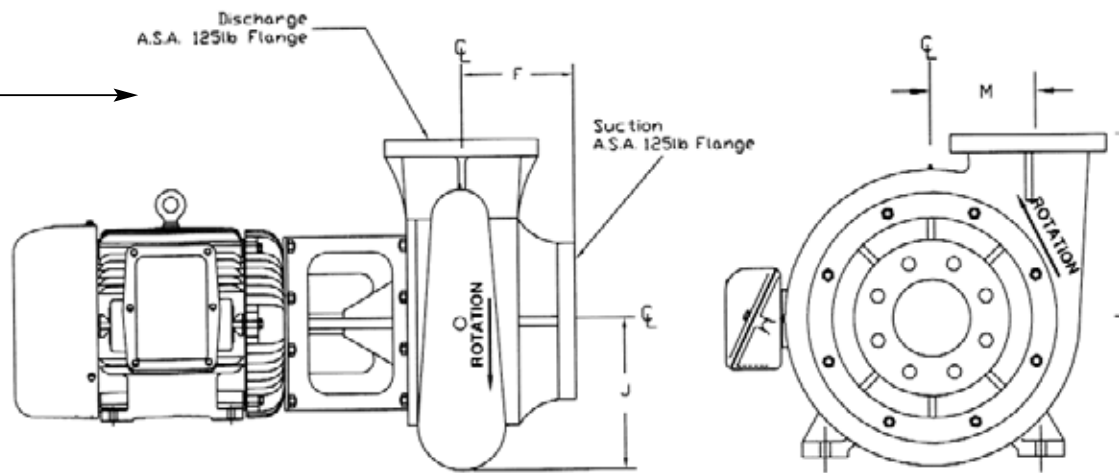


DIMENSIONAL

frame
mounted
dimensions



close
coupled
dimensions



pump
end
dimensions

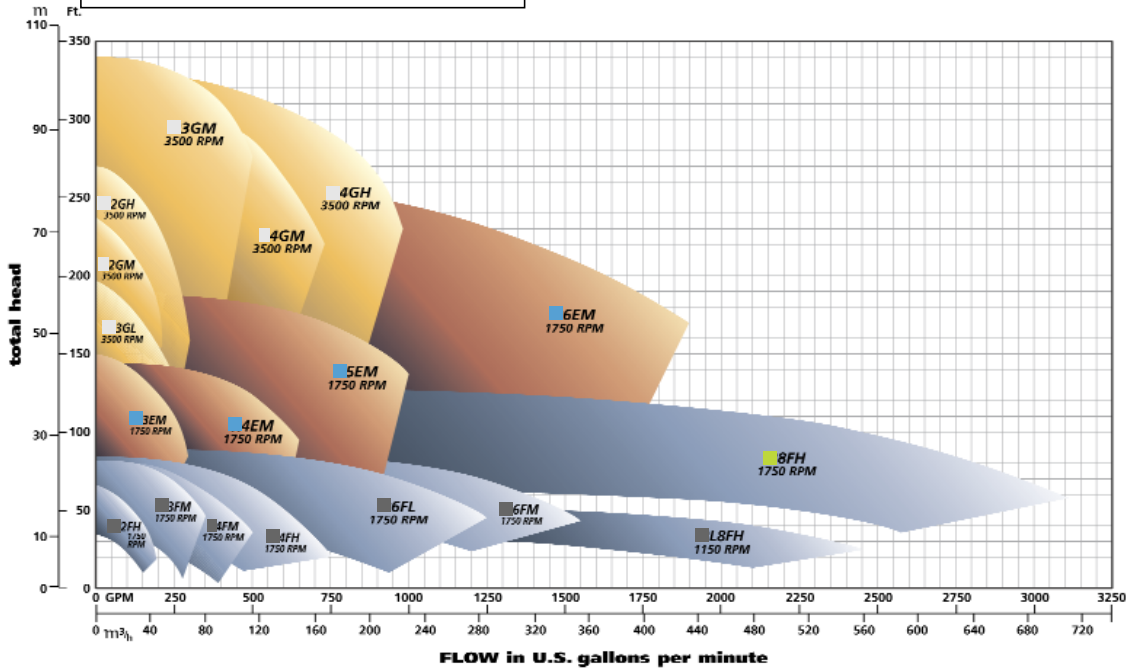
MODEL	Suction	Discharge	F	J	L	M
3EM	4"	3"	3 9/16	8	8 7/8	6 3/4
4EM	5"	4"	5 1/16	9 1/2	11 1/4	7 3/4
5EM	6"	5"	5 9/16	10 7/8	12 9/16	8 15/16
6EM	8"	6"	8	12 3/8	14 1/4	10
2FH	3"	2"	3 5/8	6	6 1/8	4 3/4
3FM	4"	3"	3 5/8	7 3/8	8 1/2	5 13/16
4FM	5"	4"	4 1/8	8 1/8	7 3/4	6 7/16
4FH	5"	4"	4 1/8	8 1/8	7 3/4	6 7/16
6FL	8"	6"	6 11/16	9 3/8	9	7 1/4
6FM	8"	6"	6 11/16	9 3/8	9	7 1/4
L8FH	8"	8"	5 1/8	14 1/4	12 5/16	10 7/8
8FH	8"	8"	5 1/8	14 1/4	12 5/16	10 7/8
2GH	3"	2"	3 5/8	6	6 1/8	4 3/4
2GM	3"	2"	3 3/8	5 7/8	6 1/16	4 13/16
GL	4"	3"	3 3/8	7 3/8	8 1/2	5 13/16
3GM	4"	3"	3 5/8	7 3/8	8 1/2	5 13/16
GM	5"	4"	4 1/8	8 1/8	7 3/4	6 7/16
R4GH	5"	4"	4 1/8	8 1/8	7 3/4	6 7/16

PERFORMANCE DATA



pressure ● capability

maximum working pressure	
Series E	150 psi
Series F thru 6"	100 psi
Series FH	60 psi
Series G	175 psi
use a no-slam check valve on pump	



eco pro™
Premium Commercial Pool Pumps



eco pro™

Premium Commercial Pool Pumps



VFD
optimized



eco pump™
ecopoolpumps.com